

Lead Free* Dishwasher Connector - 3/8" Comp. x 3/8" Comp. w/ 3/8" MIP Elbow



Product Specifications

FEATURES

- Temperature: 200° Fahrenheit Maximum Working Temperature
- Pressure: 125 PSI Maximum Burst Pressure
- Material: Stainless Steel Braid, Brass Nuts, Brass Barbs, Rubber Washers, Stainless Steel Ferrules

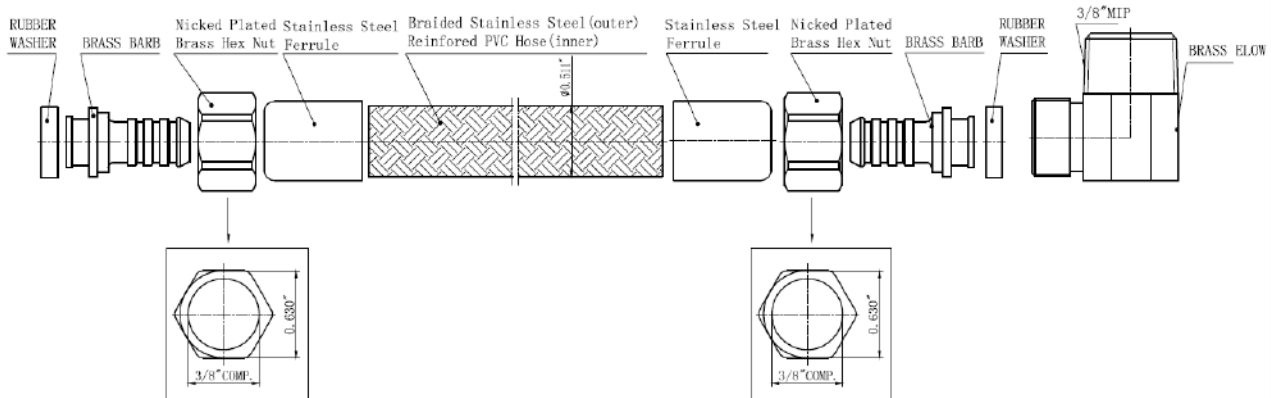


APPLICABLE STANDARDS/CODES

Specified model meets or exceeds the following:

- ASME A112.18.6/CSA B125.6
- IAPMO/cUPC
- NSF/ANSI 372
- NSF/ANSI 61 – Sec. 9
- *≤ .25% Pb

Part #	Description	Connector Length (in)
MLB148DW6D	Lead Free* Dishwasher Connector - 3/8 Comp. x 3/8 Comp. w/ 3/8" MIP Elbow	48"
MLB160DW6D	Lead Free* Dishwasher Connector - 3/8 Comp. x 3/8 Comp. w/ 3/8" MIP Elbow	60"
MLB172DW6D	Lead Free* Dishwasher Connector - 3/8 Comp. x 3/8 Comp. w/ 3/8" MIP Elbow	72"
MLB1120DW6D	Lead Free* Dishwasher Connector - 3/8 Comp. x 3/8 Comp. w/ 3/8" MIP Elbow	120"



Warranty

See warranty information for more details.

All dimensions listed are nominal. MAINLINE® reserves the right to make product and material changes at any time without notice.

NSF/ANSI 372
NSF/ANSI 61-9



Contact your sales representative for more information or visit our website at mainlinecollection.ca

Dishwasher Elbow - 3/8" Comp. x 3/4" FHT Garden Hose



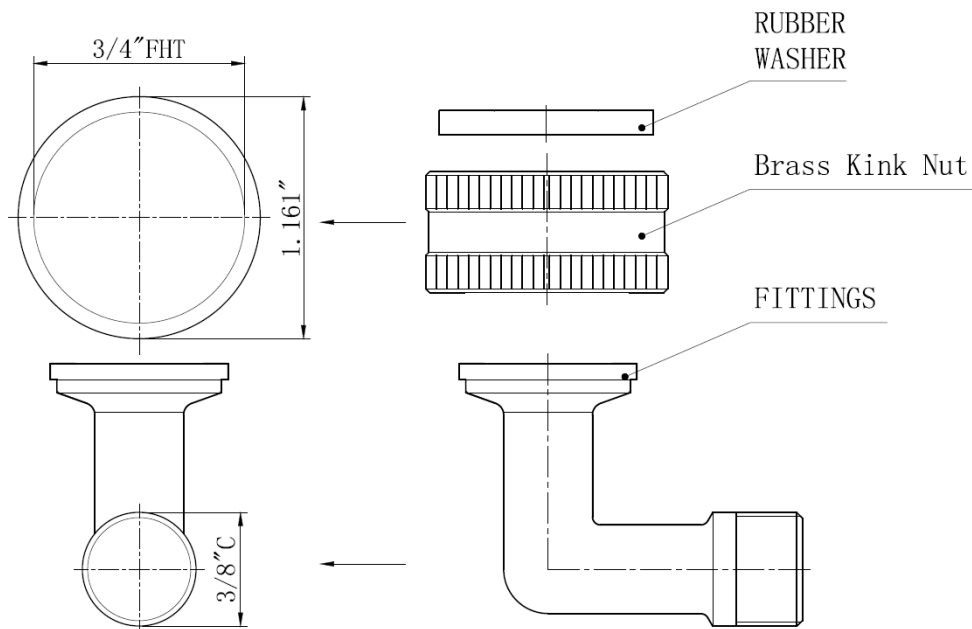
Product Specifications

FEATURES

- For Whirlpool, Maytag, Amana, Kitchen Aid and Jen Air Dishwashers made after September 2009
- Swivel Hose Thread
- Temperature: 200° Fahrenheit Maximum Working Temperature
- Pressure: 125 PSI Maximum Burst Pressure
- Material: Brass, Rubber Washer



✓ To Submit	Part #	Description
	MLHES612	Dishwasher Elbow - 3/8 Comp. x 3/4 FHT Garden Hose



Warranty

See warranty information for more details.

All dimensions listed are nominal. MAINLINE® reserves the right to make product and material changes at any time without notice.



Contact your sales representative for more information or visit our website at mainlinecollection.ca