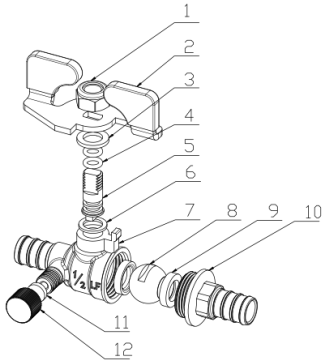


## SPECIFICATIONS

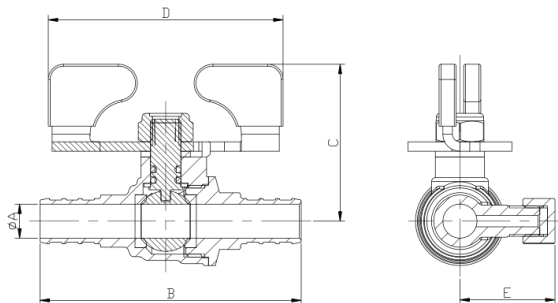


PEX Connections

### Drawings



Dimensions (inches), & Valve Data:



### Features

- Maximum temperature 100°C/212°F
- Lead Free Brass Body
- Full Port
- Lead Free Brass Ball
- CSA, NSF-61, NSF-372 Certified
- Warranty – Limited 3 Year

### MODELS

PART#	SIZE	INNER BOX QTY	CARTON QTY
MLBVF3122T - D	1/2"	12	120
MLBVF3342T - D	3/4"	10	100
MLBVF3012T - D	1"	6	48

### Parts\*

NO	PART	MATERIAL	SPECIFICATION
1	Nut	Steel	# 35
2	Handle	Steel	# 35
3	Grommet	PTFE	PTFE
4	O-ring	Rubber	NBR
5	Stem	Brass	C38510
6	Grommet	PTFE	PTFE
7	Body	Lead Free Brass	C46500
8	Ball	Lead Free Brass	C46500
9	Ball Seat	PTFE	PTFE
10	Bonnet	Lead Free Brass	C46500
11	Shim	NBR	NBR
12	Plug	Brass	C38510

- Parts List provided for reference purpose. Only Handles available for replacement

SIZE	1/2"	3/4"	1"
ΦA	0.355	0.552	0.749
B	2.717	2.973	3.603
C	1.733	1.831	2.028
D	2.481	2.481	2.481
E	1.019	1.016	1.402

### Pressure & Temperature Range

TEMPERATURE RANGE	OPERATING TEMPERATURE	MIN & MAX PRESSURE RATINGS, PSI
-4°F - 212°F -20°C - 100°C	-4°F - 176°F -20°C - 80°C	0 - 400 PSI

### Service & Parts

Please reach out to [epleservice@emcoltd.com](mailto:epleservice@emcoltd.com) for support/ visit [mainlinecollection.ca](http://mainlinecollection.ca) / CANADA +1 (450) 621 5636